

## PRF 125D2 (3PH/400V)

Item no. 31525

Document type: Product card  
 Document date: 2012-07-20  
 Generated by: Systemair Online Catalogue

### Description

- Temperature of transported air from -15°C - +70°C
- Single-flow impellers from PP with effective blade geometry
- The powder painted pedestal is manufactured of galvanised steel
- Position of casing can be easily adapted
- Perfect fitting accessories: connections, dampers, splinter protection

The PRF fans have been developed especially for the exhaust of aggressive media. This is the right fan when corrosive gases, contaminated air or other aggressive components are part of the exhaust air. Typical applications are medical facilities, the food-, electrical-or chemical industry.

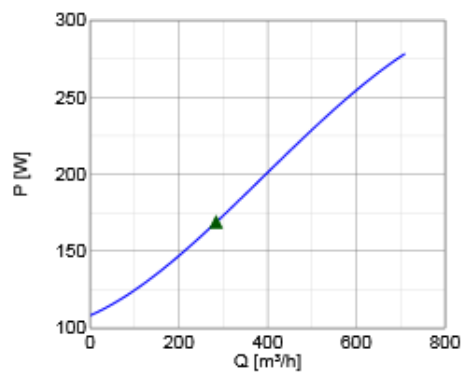
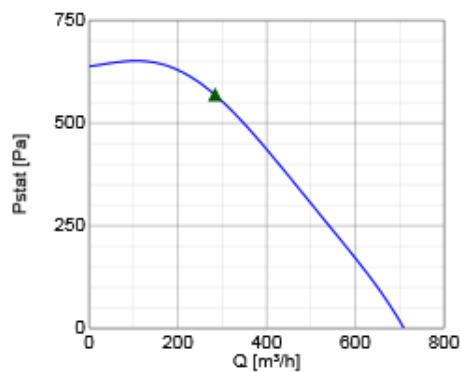
The sintered casing from UV-resistant PE and offers a variety of applications with its connectors from  $\varnothing$  125 - 250 mm. The casing can be easily adjusted through turning it (Standard position is LG270, see picture).

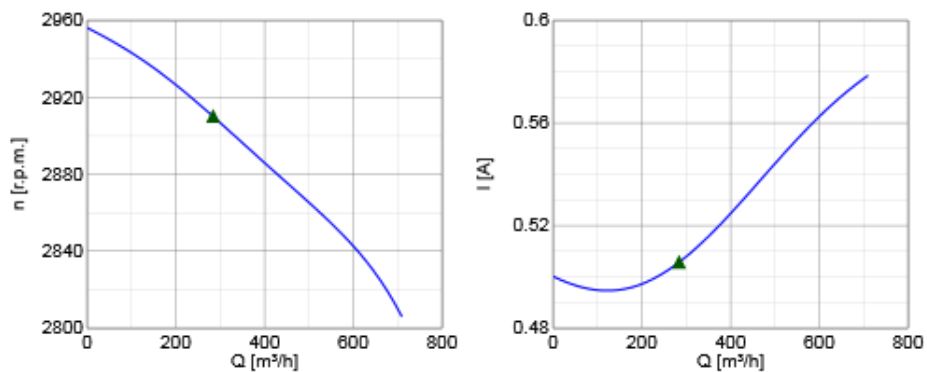


### Technical parameters

Parameter	Value	Unit
Voltage	400	V
Frequency	50	Hz
Phase	3	~
Power at shaft (P <sub>2</sub> )	250	W
Current	0.579	A
Max. airflow	709	m <sup>3</sup> /h
Fan impeller speed	2806	r.p.m.
Max. temperature of transported air	70	°C
Max. temperature of transported air when speed-controlled	70	°C
Sound pressure level at 3 m	59	dB(A)
Weight	9	kg
Insulation class, motor	F	
Enclosure class, motor	55	IP

### Diagrams



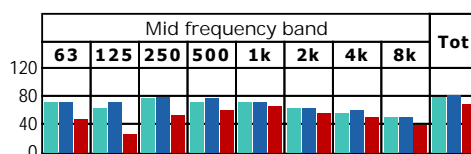


### Hydraulic data

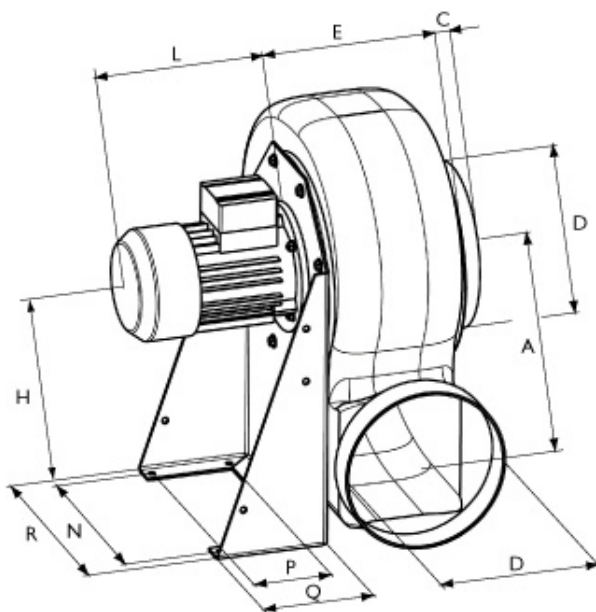
	Working point							
	Q [m³/h]	Pstat [Pa]	P [W]	n [r.p.m.]	I [A]	$\eta$ [%]	SFP [kW/m³/s]	U [V]
Max efficiency	▲ 284	▲ 568	▲ 169	▲ 2910	▲ 0.506	26.6	2.14	400

### Acoustic data

Max efficiency	Mid frequency band								Tot
	63	125	250	500	1k	2k	4k	8k	
Inlet [dB(A)]	69	61	74	70	69	62	55	48	77
Outlet [dB(A)]	71	69	78	75	70	63	58	48	81
Surrounding [dB(A)]	47	25	53	59	65	55	49	39	67



### Dimensions

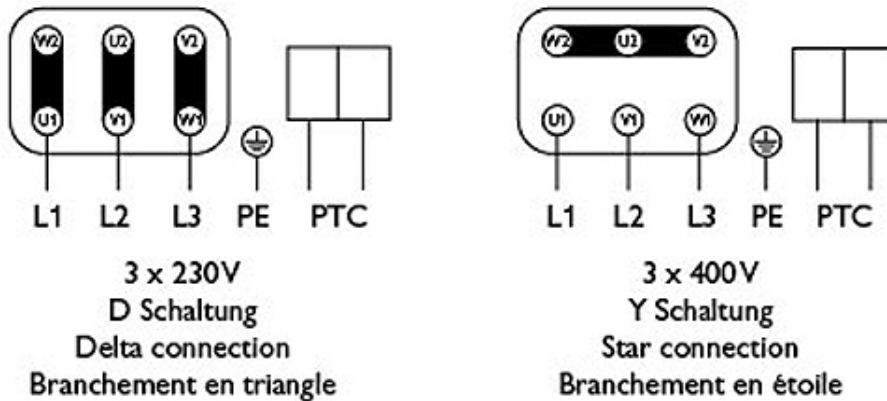


	A	C	øD	E	H	L	N	P	Q	R
PRF 125D2	140	40	125	150	250	195	200	100	140	235

total height = 415

### Wiring

**Dreiphasenmotor mit Kaltleiter**  
Three phase motor with cold conductor  
Moteur triphasé avec résistance PTC



**Drehrichtungsänderung durch Vertauschen von 2 Phasen**  
Changing of direction of rotation by interchanging of two phases  
Changement de sens de rotation par inversion de deux phases

**Typenschild beachten! See label! Voir plaquette!**

Accessories

Electric accessories

- FRQ-4A (34222)
- FRQ5-4A (34223)
- FRQ5S-4A (34227)
- FRQS-4A (34226)
- REV-5POL/07 ON/OFF (33980)
- U-EK230E EX Motorprotec. (30199)

Accessories

- ASS-P 125 flex. con. PRF (32364)
- SD rubber mount 4Pcs f. PRF125 (32567)
- VKA-P 125 adjust. damper PRF (32369)
- VKS-P 125 gravity shutter PRF (32374)
- VP-Splinter protection PRF 125 (305461)
- WSD PRF125 Weather roof KIT (309456)